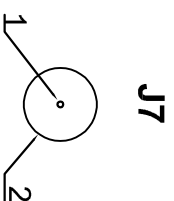
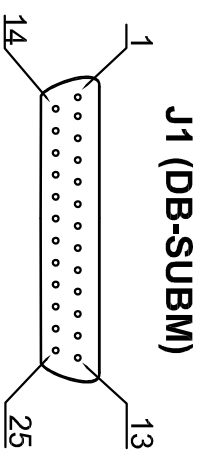
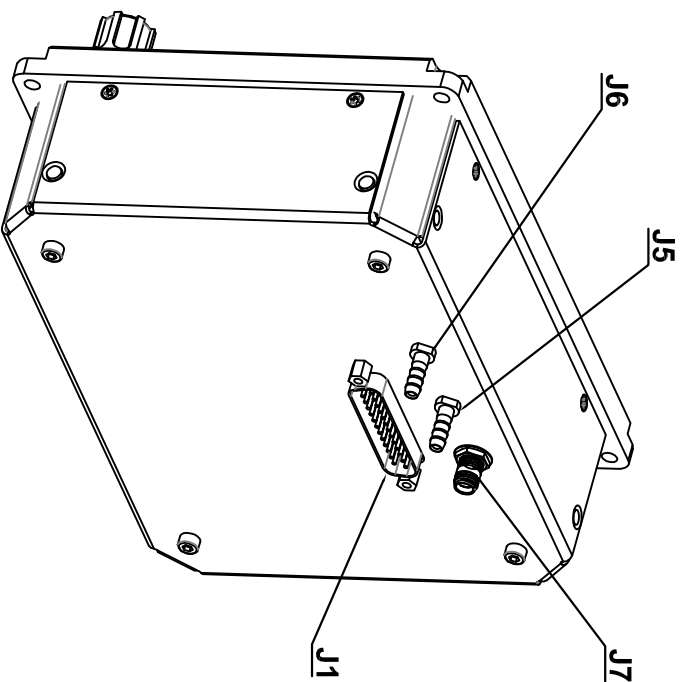


Glance EFIS 105



Connector	PIN	Description
J1	1	GND
	2	Fuel level sensor 1
	3	Cyl Head Temp
	4	Oil temp
	5	Oil pressure
	6	Engine RPM
	7	Rotor RPM
	8	CAN High
	9	CAN Low
	10	-
J5	11	PTT NC
	12	PTT COM
	13	PTT NO
	14	Fuel level sensor 2
	15	Audio out
J6	16	-
	17	-
	18	-
	19	-
	20	-
	21	-
	22	-
	23	-
	24	Power Reserv
	25	Main Power
J7	1	Pilot
	2	Stat
J7	1	GPS
	2	GND

Modifications		Name		Date		Description	
Name	Date	edit:	check:	Norm:	Glance EFIS 105		Page
					Schematic no. GA.OE.F105.050.190001		1
							of
							1