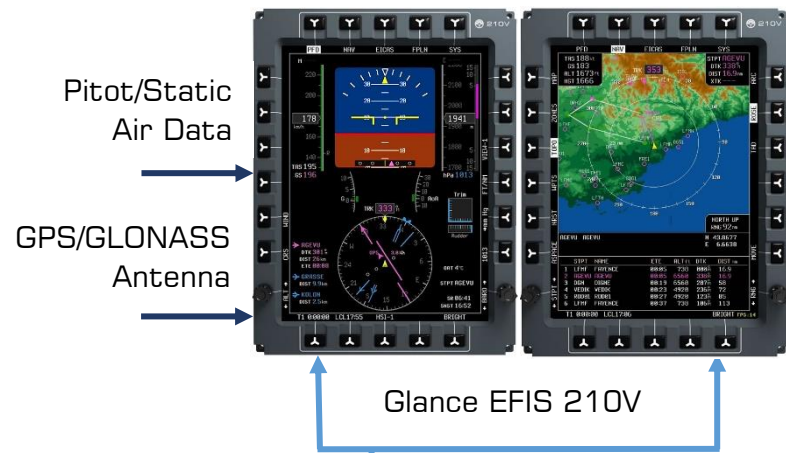


GLANCE  AVIONICS

System Architecture Overview

Front cabin



CAN Aerospace network

Glance EFIS 210V



Rear cabin

PLCM / Relay control unit



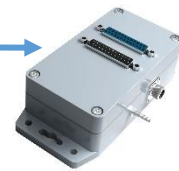
A232 / A429 Module



AHRS Modules (up to 3x)



EMS-18 Engine Monitoring Module



Digital Magnetic Compass



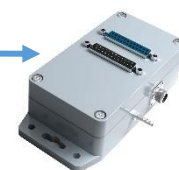
Flight Data Recorder



PLCM



SAM-32



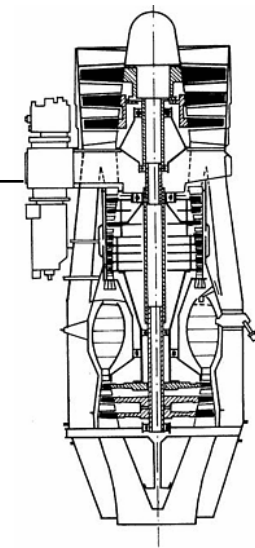
Nav/Radio



Autopilot

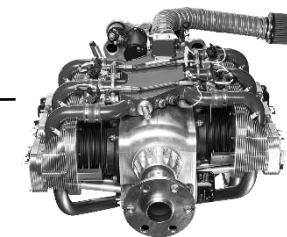


Engine without ECU



Rotax
Lycoming
Continental
Jabiru
AI-25
M-701
M-14P
CMD
Vaxell
ULPower
PT6
etc.

Engine with ECU



Control stick



Master caution lamp



Alarm light panel



Trimmers

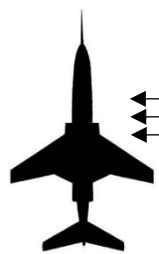
Flaps

Gears

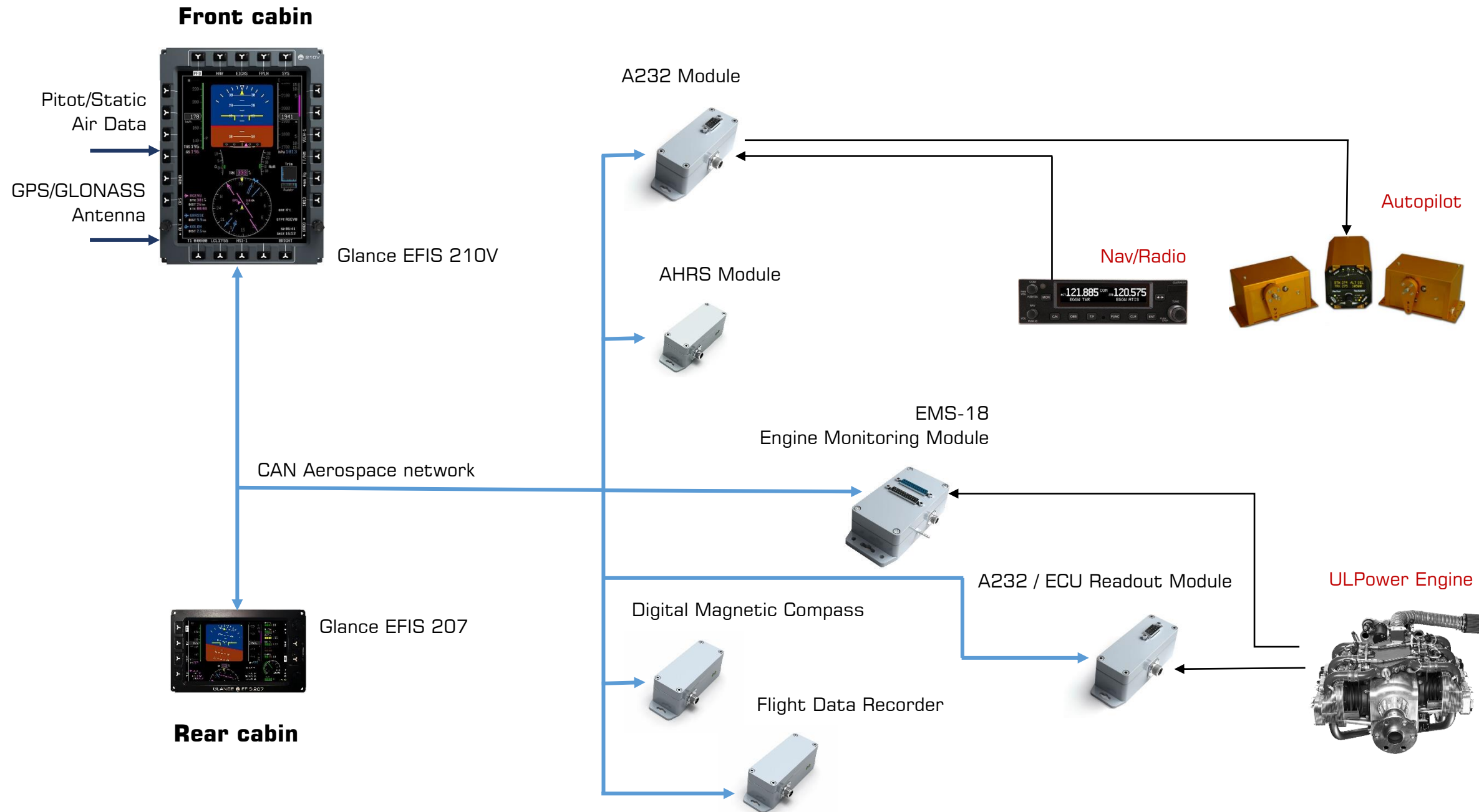
Ejection Seats

Weight on Wheel

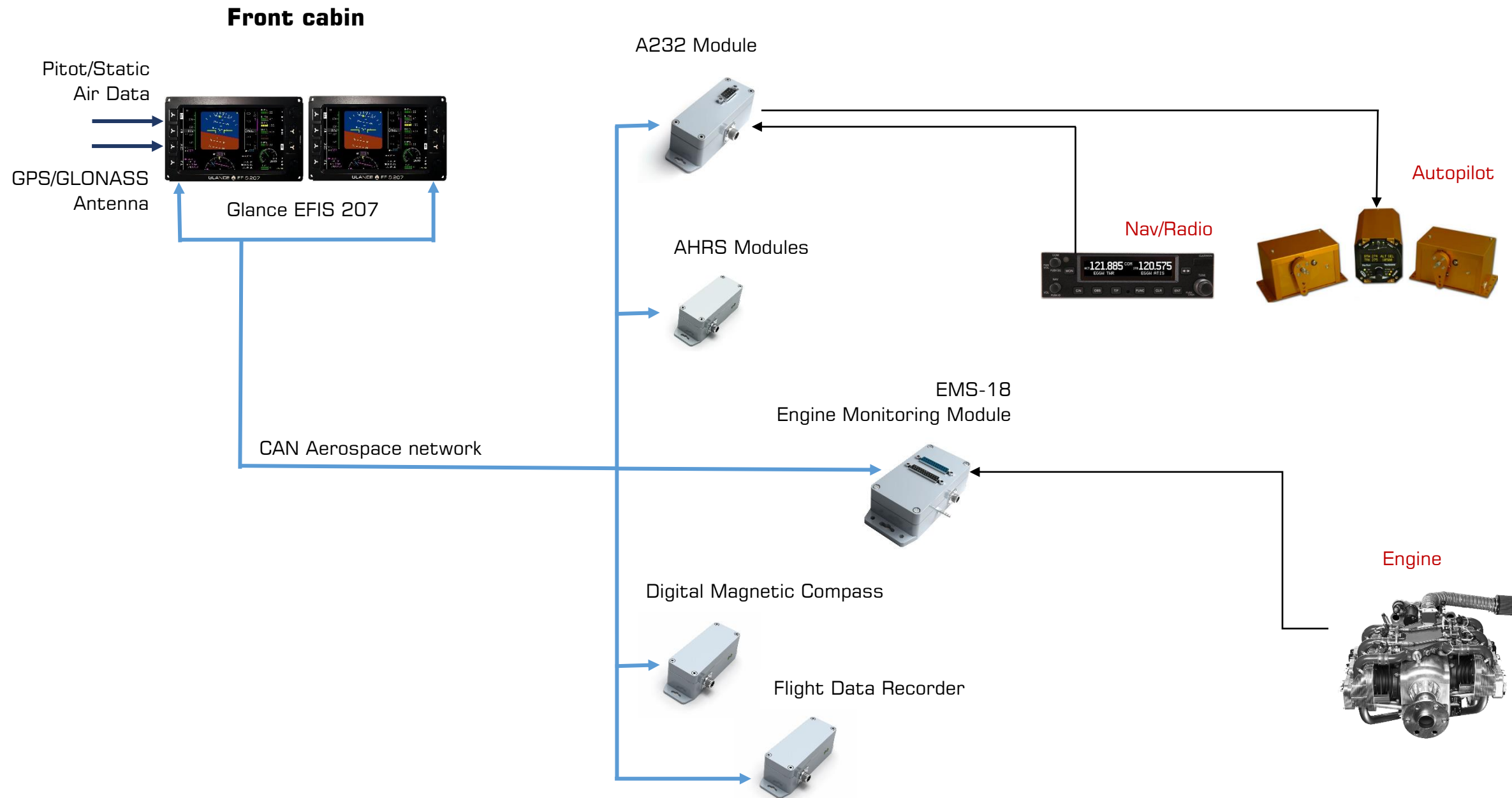
Canopy



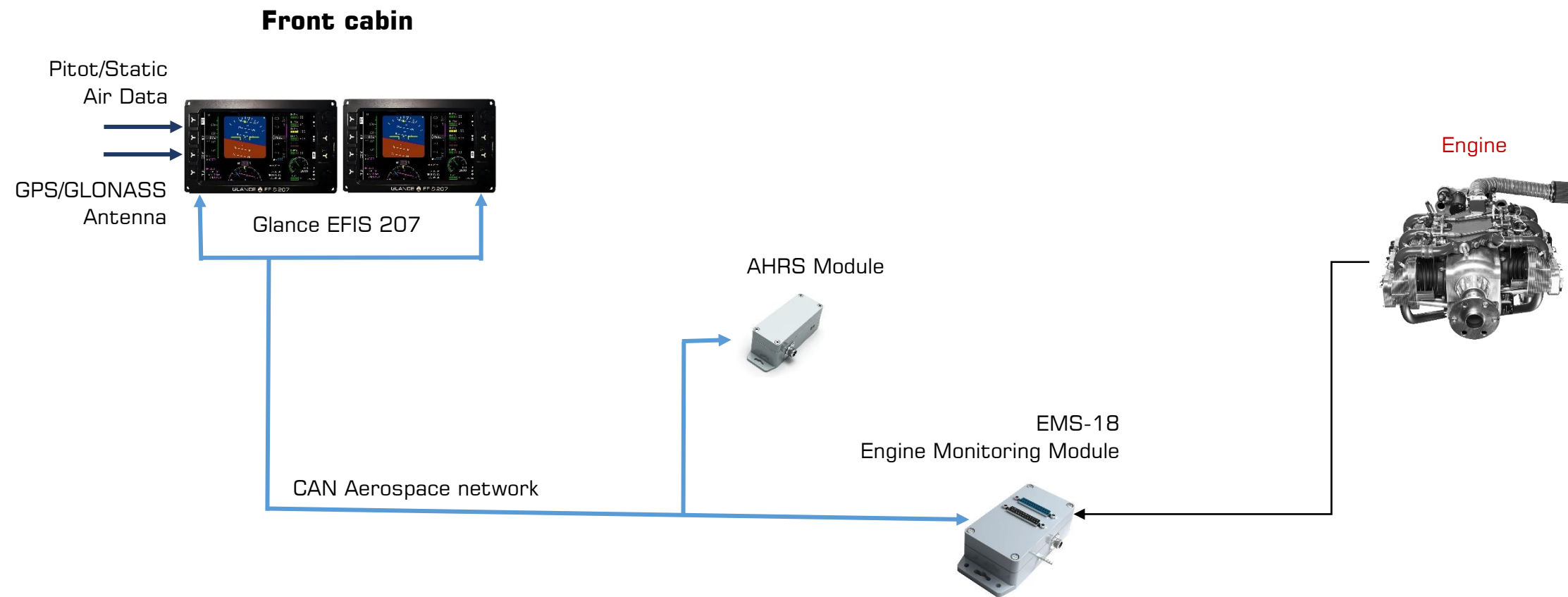
Typical System Configuration #1



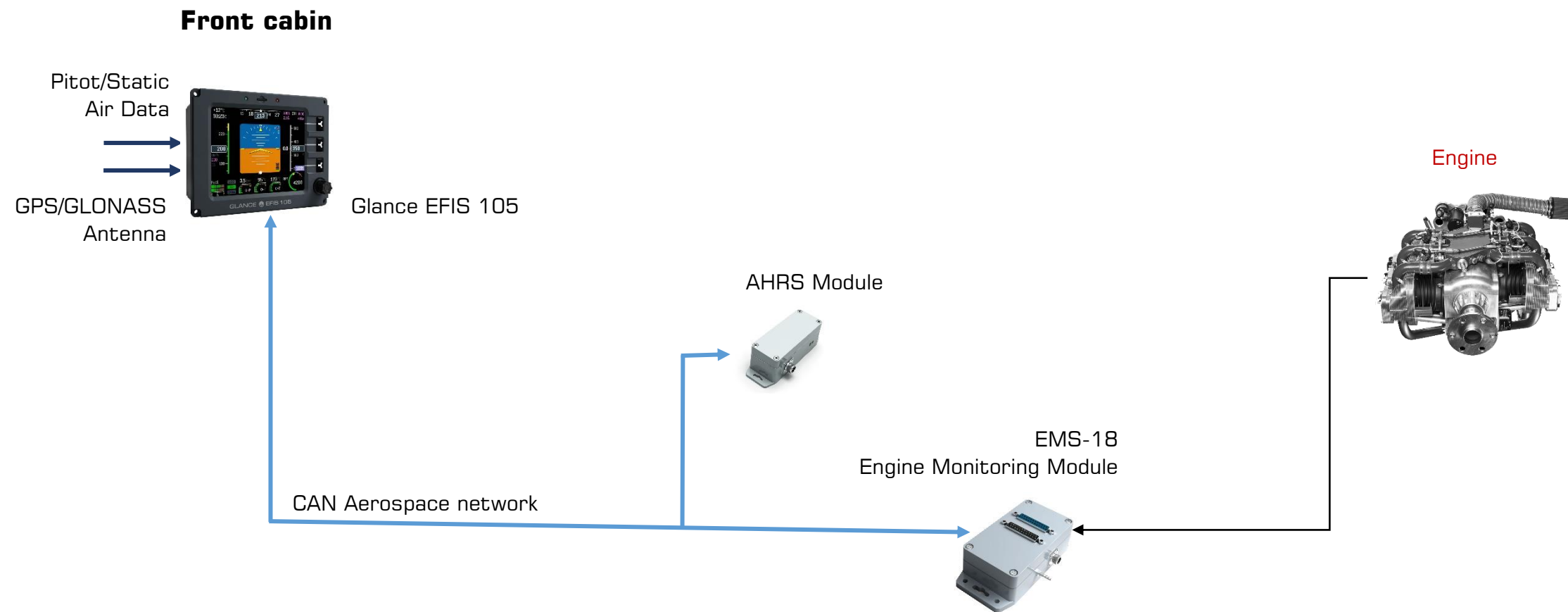
Typical System Configuration #2



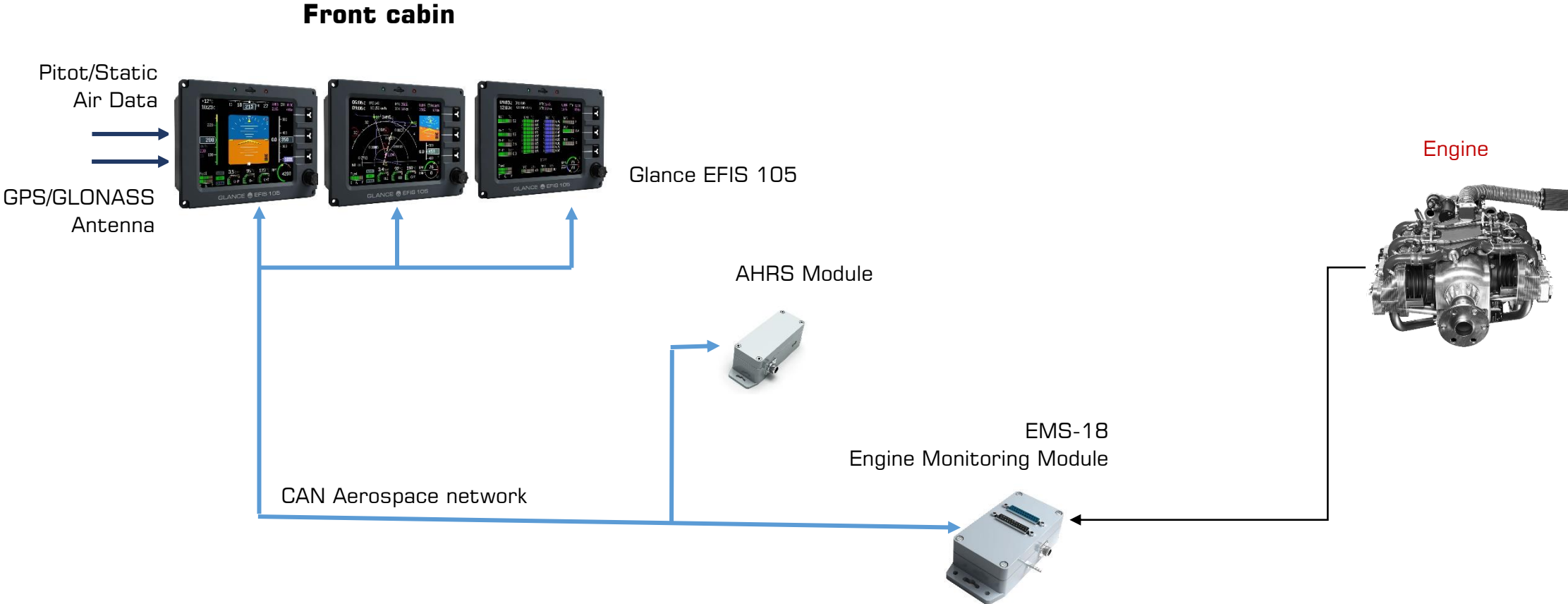
Typical System Configuration #3



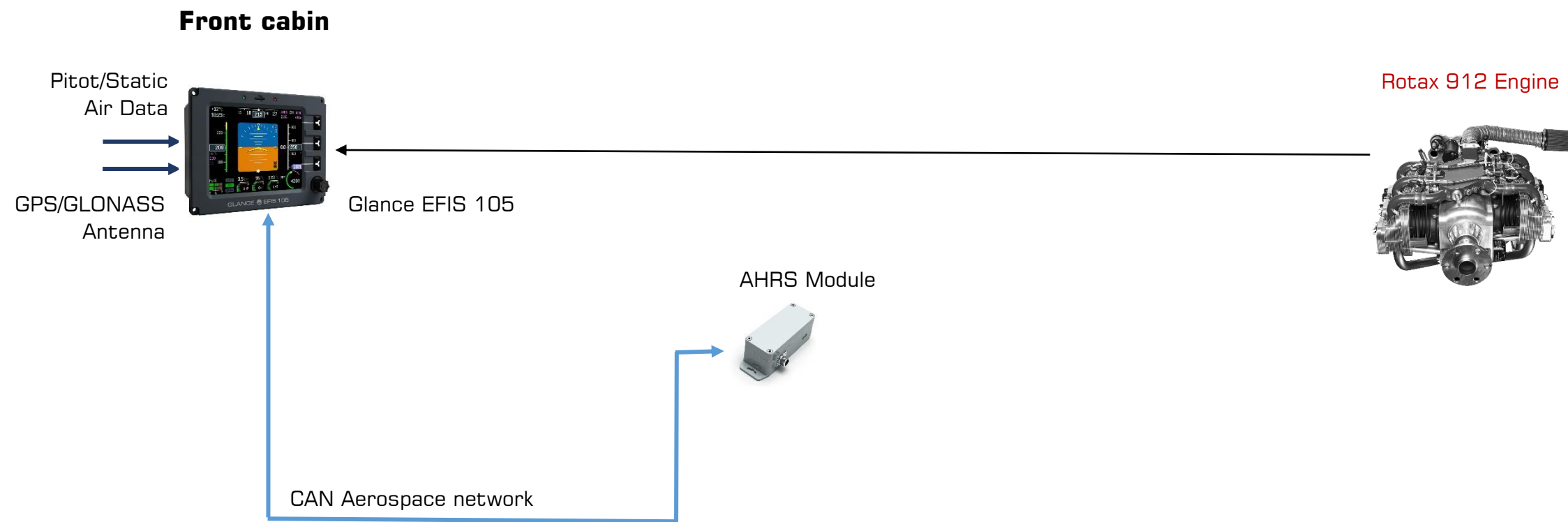
Typical System Configuration #4



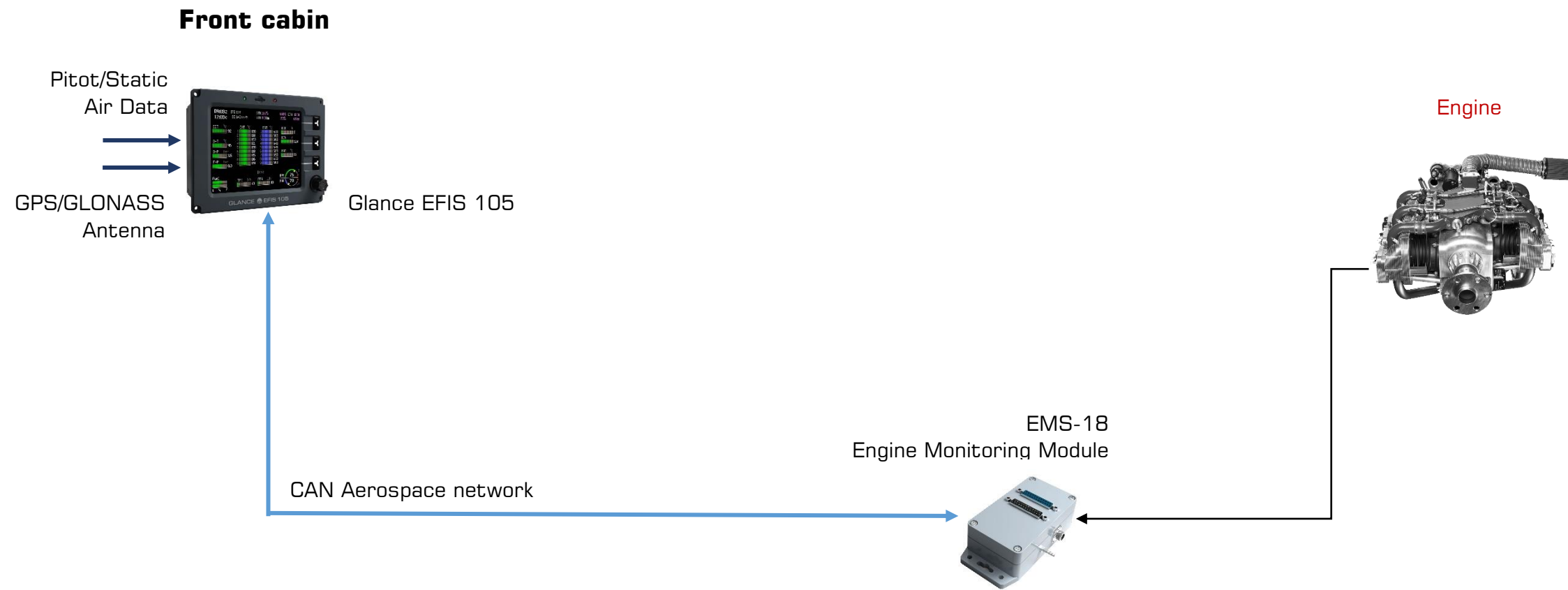
Typical System Configuration #5



Typical System Configuration #6



Typical System Configuration #7



Typical System Configuration #8

